

1 Features and Benefits

- ▲ Digital output, omnipolar switch
- ▲ Quickly respond to changes in magnetic field
- ▲ Wide operating voltage range: 2.5V ~ 22V
- ▲ Strong resistance to mechanical stress
- ▲ Non-contact output, safety and reliable
- ▲ Operating temperature range: -40°C ~ 150°C
- ▲ TO-92 and SOT-23-3L package options
- ▲ Developed according to the EU RoHS and EU REACH

2 Application Examples

- ▲ Automotive electronics, Consumer electronics and Industrial electronics
- ▲ Water flow sensing
- ▲ Liquid level detection
- ▲ Position Sensing
- ▲ Speed Sensing
- ▲ Contactless key/button
- ▲ Bluetooth headset
- ▲ Door latch system

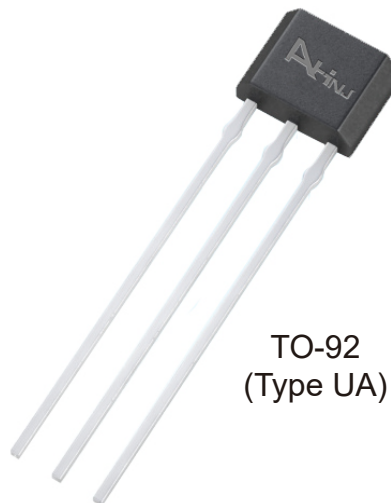
3 Selection Guide

Part Number	Packing	Mounting	Operating, T	B _{RP} (Min)	B _{OP} (Max)
AH3931/L-M	7-in. reel, 3000 pieces/reel	3-pin SOT23-3L surface mount	-40°C to 150°C	±0.5mT	±5.5mT
AH3931/L-UA	Anti-static bag, 1000 pieces/bag	3-pin SIP through hole	-40°C to 150°C	±0.5mT	±5.5mT

NOTE 1. Hall ICs are soldered tin brazing for assembly, and wave soldering of SOT-23-3L surface-mounted components poses a risk of failure.
 2. A risk of circuit failure may happen in non-brazing processes such as electric resistance welding, high-frequency welding, etc.
 3. E: -25~85°C; K: -40~125°C; L: -40~150°C.



SOT-23-3L
(Type M)

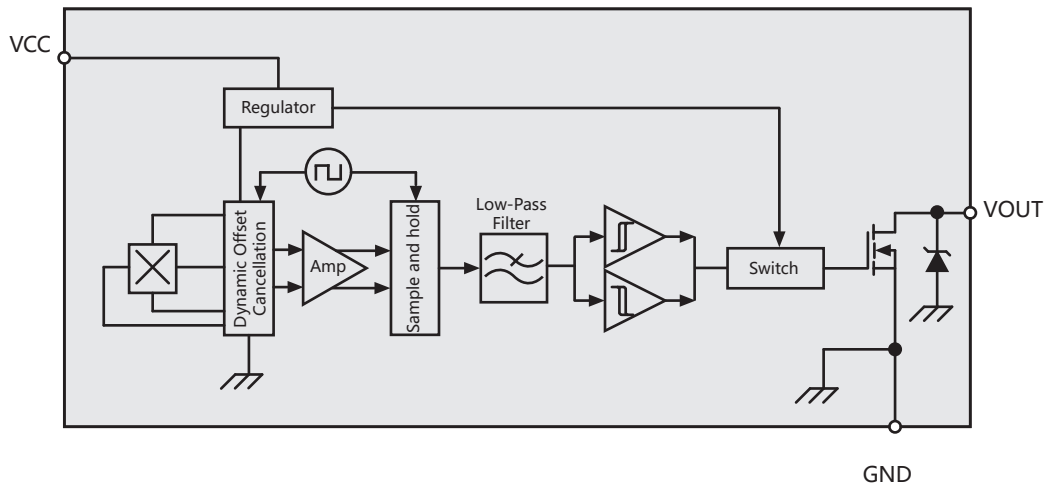


TO-92
(Type UA)

4 General Description

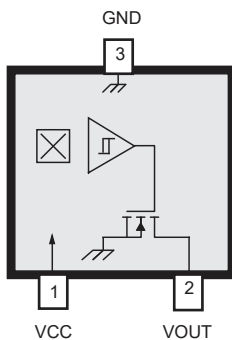
The AH3931 is a digital omnipolar Hall switch. The device includes a voltage regulator, Hall-voltage generator, small-signal amplifier, chopper stabilization, Schmitt trigger, and a short circuit protected open-drain output to sink up to 25 mA. An on-board regulator permits operation with supply voltages of 2.5 to 22 V. The advantage of operating down to 2.5V is that the device can be used in 2.5V applications or with additional external resistance in series with the supply pin for greater protection against high-voltage transient events.

The AH3931, produced with CMOS technology, is asked for lower supply voltage. It is available in two package types: SOT-23-3L (Type M), and TO-92 (Type UA). Each package is lead (Pb) free, with 100% matte tin plated leadframes.

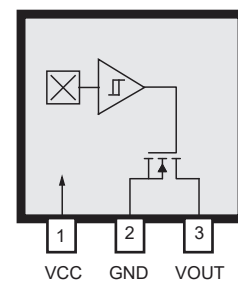


5 Terminal List

SOT-23-3L
(Type M)



TO-92
(Type UA)



Name	Description	Number	
		Type M	Type UA
VCC	Power Supply	1	1
GND	Ground	3	2
VOUT	Output	2	3

6 Absolute Maximum Ratings

Characteristic	Symbol	Note	Rating	Unit
Supply Voltage	V_{CC}		24	V
Output Current	$I_{OUTSINK}$		25	mA
Magnetic Flux Density	B		Unlimited	G
Operating Temperature	T_A	E	-40 to 150	°C
Maximum Junction Temperature	$T_{J(max)}$	Too high a T_j could lead to electrical or thermal breakdown	165	°C
Storage Temperature	T_{stg}		-50 to 150	°C
ESD sensitivity – HBM	-		8	kV

NOTE 1. Human Body Model according to AEC-Q100-002 standard.

7 Electrical Operating Characteristics

valid through the full operating temperature range; unless otherwise specified

Characteristic	Symbol	Test Conditions	Min.	Typ.	Max.	Unit
Supply Voltage	V_{CC}	-40 °C to 150 °C	2.5	-	22	V
Supply Zener Clamp Voltage	V_{OH}	$I_{CC} = 7 \text{ mA}$; $T_A = 25^\circ\text{C}$	24	-	22	V
Output Zener Clamp Voltage	V_{OL}	$I_{OUT} = 3 \text{ mA}$	24	-	-	V
Supply Current	I_{CC}	$V_{CC} = 3.3 \text{ V}$	-	1.6	3	mA
Output leakage Current	I_{OUTOFF}	$V_{OUT} = 24 \text{ V}$, Switch state = Off	-	-	10	μA
Power-On Time	t_{PO}	$T_A = 25^\circ\text{C}$; $C_{LOAD} = 10 \text{ pF}$	-	-	30	μs
Output-Rise Time	t_R	$R_{LOAD} = 820 \Omega$, $C_{LOAD} = 10 \text{ pF}$	-	0.2	2	μs
Output-Fall Time	t_F	$R_{LOAD} = 820 \Omega$, $C_{LOAD} = 10 \text{ pF}$	-	0.1	2	μs

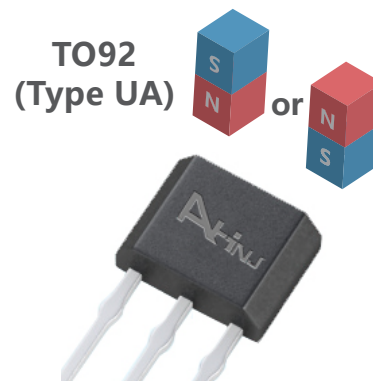
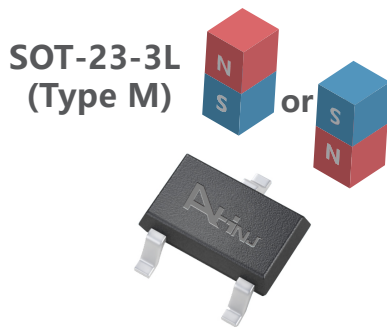
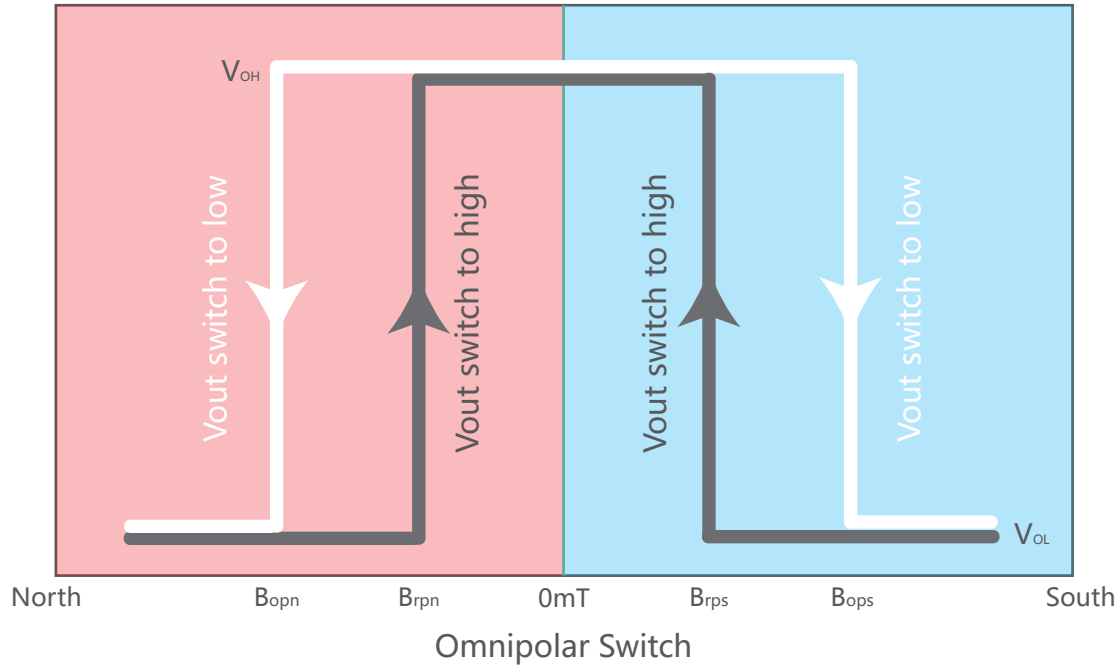
8 Magnetic Operating Characteristics

valid through the full operating temperature range; unless otherwise specified

Characteristic	Symbol	Test Conditions	Min.	Typ.	Max.	Unit
Operating Point	B_{OP}	-40 °C to 150 °C	±1.5	±3.0	±5.5	mT
Release Point	B_{RP}	-40 °C to 150 °C	±0.5	±2.0	±4.5	mT
Hysteresis	B_H	-40 °C to 150 °C	0.4	1.0	3.0	mT

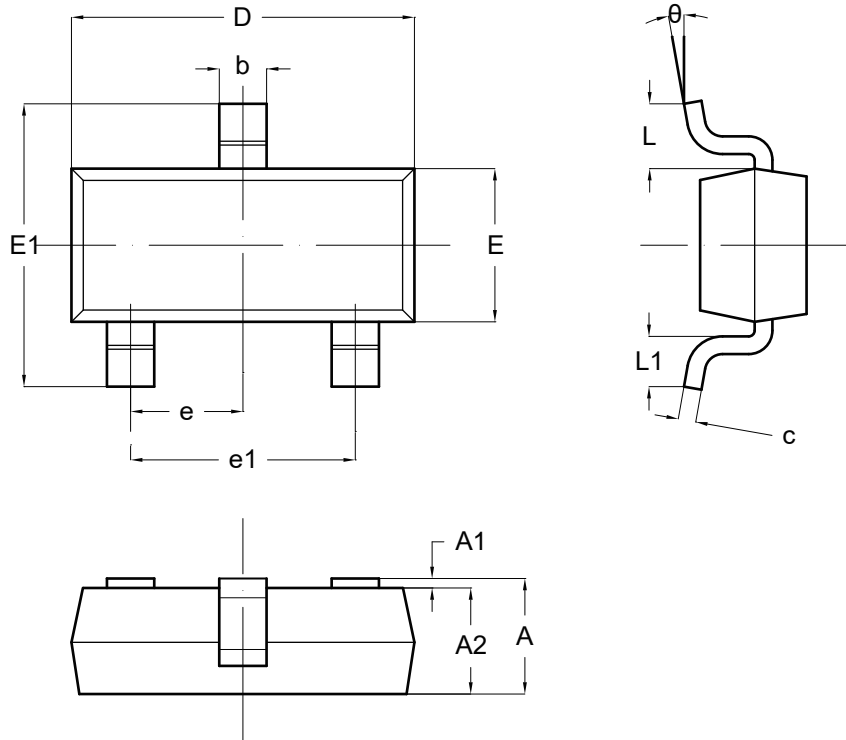
9 Magnetic Behavior

When the magnet (S or N pole) is close to the sensor ($|B| \geq |B_{OP}|$), the sensor outputs a low level; when the magnet is far away from sensor ($|B| \leq |B_{RP}|$), the sensor outputs a high level. Steady Hysteresis ($B_{HX} = |B_{OPX} - B_{RPX}|$) ensures its stable switch status. The magnetoelectric conversion characteristics of AH3931 are shown in the figure:



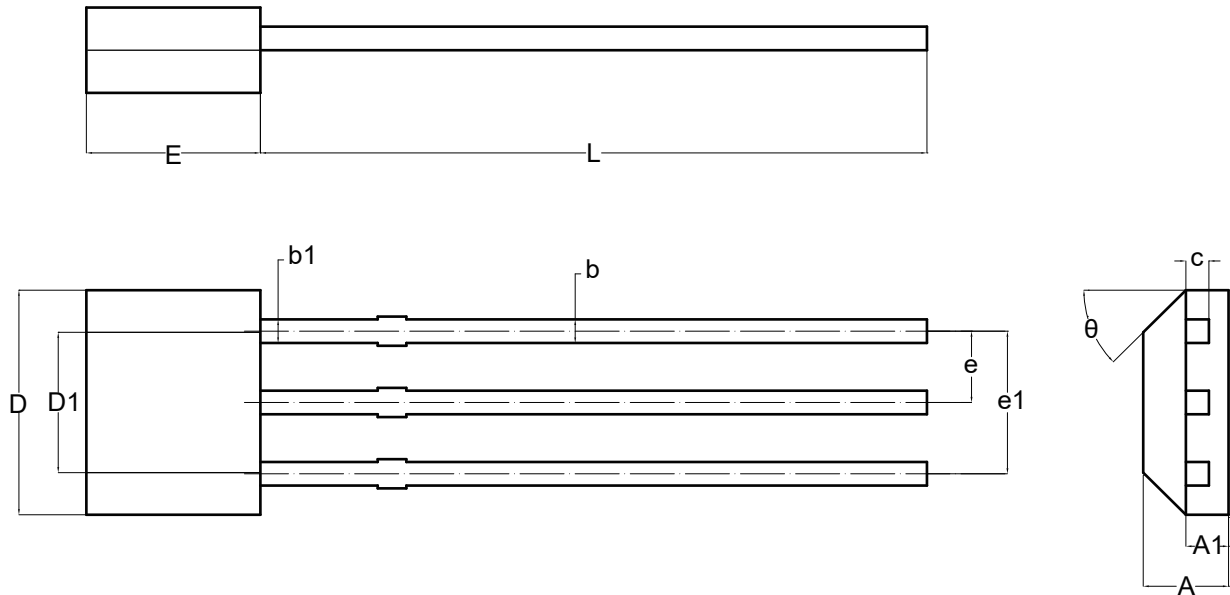
11 Package Information

SOT-23-3L



Symbol	Dimension (Unit: mm)	
	Min	Max
A	1.050	1.250
A1	0.000	0.100
A2	1.050	1.150
b	0.300	0.500
c	0.100	0.200
D	2.820	3.020
E	1.500	1.700
E1	2.650	2.950
e	0.950BSC.	
e1	1.800	2.000
L	0.550REF.	
L1	0.300	0.600
θ	0°	8°

TO-92



Symbol	Dimension (Unit: mm)	
	Min	Max
A	1.420	1.620
A1	0.660	0.860
b	0.330	0.480
b1	0.400	0.510
c	0.330	0.510
D	3.900	4.100
D1	2.280	2.680
E	3.050	3.250
e	1.270TYP.	
e1	2.440	2.640
L	14.350	14.750
θ	45°TYP.	

Copyright 2003~2020 Nanjing AH Electronic Science & Technology Co., Ltd.
Nanjing AH Electronic Science & Technology Co., reserves the right to improve the performance, reliability or manufacturability of its products at any time according to detailed specifications. Before placing an order, the user is cautioned to verify that the information being relied upon is up-to-date. AHNJ' s products are not to be used in any life support devices or systems (including but not limited to the listed devices or systems), in which a failure can reasonably be expected to cause bodily harm. The information included herein is believed to be accurate and reliable. However, Nanjing AH Electronic Science & Technology Co., assumes no responsibility for its use; nor for any infringement of patents or other rights of third parties which may result from its use.
Learn more about our products for your application, please contact us:

nianrong@ahest.com